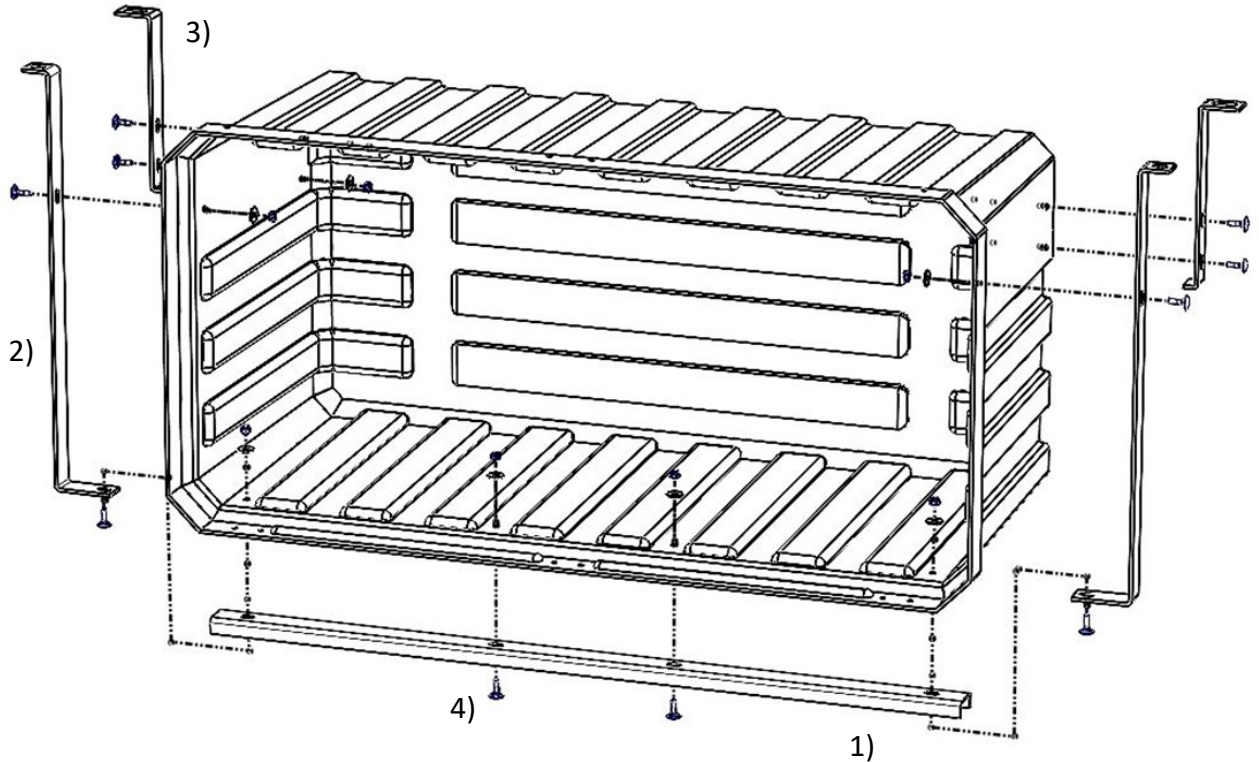


# INSTALLATION INSTRUCTIONS

102808 Installation kit SL4 (vertical) for  
 100450 Toolbox 1000x500x460  
 100458 Toolbox 1000 D



Pos.	Qty	Part	
1	1 x	U-profile 915mm	
2	2 x	Z-bracket 508mm	
3	2 x	Z-bracket 218mm	
4	10 x		Square Neck Bolt M6x20
4	10 x		Nut Nyloc M6
4	10 x		Washer M6x18

